

GOSS OXY-FUEL EQUIPMENT

Front Valve Torch Kits With Stubby™ -Style Tips, "A" Fittings



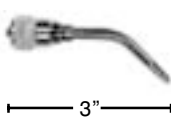




Stubby-Style products are rugged and designed for commercial applications where size is a consideration. Stubby-Style Tips have a short, heavy duty design and are much stronger than other small tips found in the market. These tips give the user close up control and they maximize movement in tight areas. The torch is compact but very durable and utilizes a needle valve design for precise flame control. Made of brass and copper. Kits have many UL listed accessories and are pre-matched to different tank sizes.

KA-700-M

Part No.	Description
KA-700-M	MC Acet. Regulator
KA-700-B	B Acet. Regulator

Kits include: TC-15WA Torch, 2033-1 Weld Tip, 2033-3 Weld Tip, SW-12A Hose, MP-35 Goggles, MP-1 Lighter, EO-25-A Oxygen Regulator, EA-25-MA or EA-25-BA Acetylene Regulator

Stubby™-Style Tips

	Part No.	Brazing Capacity
Welding / Brazing Tips 	2033-000	Up to 3/8"
	2033-00	1/8 to 1/2"
	2033-0	3/16 to 3/4"
	2033-1	1/4 to 1"
	2033-2	5/16 to 1 1/8"
	2033-3	1/2 to 1 3/8"
Heating Tip 	2033H-15	Up to 1 1/2"
Twin Tips 	2066T-00	Up to 1/2"
	2066T-0	Up to 1"
	2066T-1	Up to 2"
G-Tips 	2077G-00	Up to 1/2"
	2077G-0	Up to 1"
	2077G-1	Up to 1 1/2"
	2077G-2	Up to 2"
	2077G-3	Up to 3"
Flex - Tips 	2011F-6	Up to 1 1/2"
	2011F-10	Up to 1 1/2"

Value Packs

Torch and Stubby Tip Value Packs



KA-V1

Contents:
TC-15WA Torch
2033-00 Welding Tip
2033-1 Welding Tip



KA-V2

Contents:
TC-15WA Torch
2033-0 Welding Tip
2033H-15 Heating Tip
2077G-0 G-Tip

Stubby Tip Value Packs



KA-V5

Contents:
2033-00 Welding Tip
2033-1 Welding Tip
2033H-15 Heating Tip



KA-V6

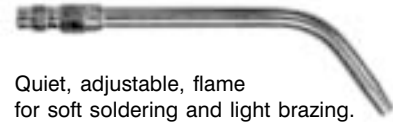
Contents:
2033-00 Welding Tip
2077G-0 G-Tip
2066T-0 Twin Tip

GOSS® **AIR-ACETYLENE EQUIPMENT** "SCREW-IN STYLE"

Feather Flame® Kits and Tips



These kits include our most economically priced air-acetylene tips. Their design makes them inexpensive while still producing excellent flame characteristics.



Quiet, adjustable, flame for soft soldering and light brazing.

KA-1H

Kits include UL listed regulator and hose.

Part No.	Tip No.	Reg. Ftg.	Part No.	Flame Dia.	Soft Solder
KA-1H	BA-3	"B" Cylinder	BA-1	1/16"	1/16"-1/8"
KA-2H	BA-3	"MC" Cylinder	BA-2	1/8"	1/8"-1/4"
KA-31	BA-2, BA-3, BA-4	"B" Cylinder	BA-3	3/16"	1/4"-1/2"
KA-32	BA-2, BA-3, BA-4	"MC" Cylinder	BA-4	1/4"	1/2"-1"
KA-37H*	BA-4	"B" Cylinder	BA-5	5/16"	1"-1 1/2"
KA-38H*	BA-4	"MC" Cylinder	BA-6	7/16"	2"-4"

Contents: HA3-12 hose, regulator, AA-1 handle, MP-1 lighter and MA-2 wrench.

* These kits do not include lighter or key wrench

TARGET® Flame Kits and Tips



Kits feature the screw-in style Target tips which are known for their durability and very high flame temperature at an economical price.



Very hot adjustable flame for fast soldering and brazing.

KA-3H

Kits include UL listed regulator and hose.

Part No.	Tip No.	Reg. Ftg.	Part No.	Flame Dia.	Soft Solder
KA-3H	BA-10A	"B" Cylinder	BA-9A	1/4"	Up to 1"
KA-4H	BA-10A	"MC" Cylinder	BA-10A	3/8"	Up to 2 1/2"
KA-7H	BA-9A, BA-12A	"B" Cylinder	BA-12A	1/2"	Up to 4"
KA-8H	BA-9A, BA-12A	"MC" Cylinder			

Contents: HA3-12 hose, regulator, AA-1 handle, MP-1 lighter and MA-2 wrench.

ZIP-TIP® Kits and Tips



The Zip-Tips included in these kits provide medium flame temperature with a large pencil point style flame.



Adjustable flame can be used to braze and solder.

KA-71H

Kits include UL listed regulator and hose.

Part No.	Tip No.	Reg. Ftg.	Part No.	Flame Dia.	Soft Solder
KA-71H	BA-20	"B" Cylinder	BA-20	7/32"	1/4" to 1"
KA-72H	BA-20	"MC" Cylinder	BA-25	1/4"	1" to 3 1/4"
KA-81H	BA-20, BA-25	"B" Cylinder	BA-30	7/16"	3" to 6"
KA-82H	BA-20, BA-25	"MC" Cylinder			

Contents: HA3-12 hose, regulator and AA-1 handle



AIR-ACETYLENE EQUIPMENT

"SNAP-IN STYLE"

TARGET® Kits and Tips



Kits feature the very hot, compact, adjustable Target Tips for professional soldering and brazing applications. Kits also include a quick disconnect handle, UL listed regulator, hose and accessories.

KX-3B



TARGET® Tips

- Very hot turbine flame.
- Adjustable tips that don't burn up.
- Unique mixer design cuts brazing time by 30% over conventional tips.
- Tips have a filter and removable orifice.
- Interchangeable with other quick disconnect style tips.
- Made of heavy stainless steel and brass.
- Tips fit GG-4 handle.

Part No.	Tip No.	Regulator Ftg.
KX-3B	GA-3, GA-11	"B" Cylinder
KX-4B	GA-5, GA-14	"B" Cylinder
KX-5B	GA-5	"B" Cylinder
KX-5MC	GA-5	"MC" Cylinder
KX-6MC	GA-3, GA-8	"MC" Cylinder
KX-7B	GA-8	"B" Cylinder

Part No.	Flame Dia.	Soft Solder	Silver Solder
GA-3	1/4"	1/4"-1"	1/8"-1/2"
GA-5	5/16"	3/4"-1 1/2"	1/4"-3/4"
GA-8	3/8"	1"-2 1/2"	1/2"-1"
GA-11	7/16"	1 1/2"-3 1/4"	3/4"-1 1/2"
GA-14	1/2"	2"-4"	1"-2"
GA-32	3/4"	3"-6"	1 1/2"-4"

Kit contents: HA3-12 hose, GG-4 Torch, Tip(s) and Regulator

EZE-LITE™ Instant Ignition Kits and Tips



Kits feature EZE-Lite push button spark ignition tips with swirl action flame. Also featured is the quick disconnect handle, durable regulator and hose.

KX-10B



EZE-Lite™ Tips

- Innovative spark igniting turbine flame tip ignites with the push of a button.
- Interchangeable with other quick disconnect style tips.
- Removable / cleanable orifice.
- Tips fit GG-4 handle.

Part No.	Tip No.	Regulator Ftg.
KX-10B	GA-36	"B" Cylinder
KX-10MC	GA-36	"MC" Cylinder
KX-15B	GA-38	"B" Cylinder
KX-15MC	GA-38	"MC" Cylinder

Part No.	Flame Dia.	Soft Solder	Silver Solder
GA-36	1/4"	Up to 2"	Up to 1"
GA-38	3/8"	Up to 4"	Up to 2"
GA-40	1/2"	Up to 6"	Up to 4"

Kit contents: HA3-12 hose, GG-4 Torch, Tip(s) and Regulator

GOSS® AIR-ACETYLENE EQUIPMENT

Torch Handles

ACET-O-LITE® (screw-in)

AA-1 has the adjustment valve in the front for single hand operation, the AA-3 has the valve in the rear for fingertip control. Needle valve design enables very fine flame adjustments. These torches will keep your tips burning efficiently in drafts, winds, and adverse conditions. Both torches are made with quality brass, have very durable handles and use standard 3/8-24 LH "A" size hose fittings.

AA-1



AA-3



Goss Acet-O-Lite torches work with all "BA" style tips listed on page 2.

TARGET TORCH® (snap-in)

This handle has a quick disconnect fitting to rapidly change tips. Comfortable grooved handle is made of very durable materials. Uses 3/8 LH "A" hose fittings.

GG-4



The Target Torch handle will work with all "GA" style tips listed on page 3.

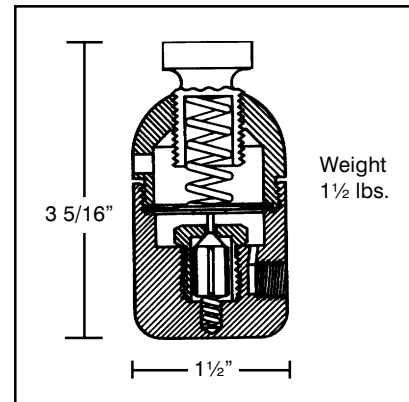
Acetylene Regulators

These UL Listed regulators, manufactured of solid brass, are made for rugged use. They have a specially designed conical seat and a neoprene diaphragm. The inlets have filters to prevent dirt from entering the regulator.



EA-1G B cyl. connection
"A" hose fitting 3/8-24 L.H.

EA-2G MC cyl. connection
"A" hose fitting 3/8-24 L.H.





AIR-ACETYLENE EQUIPMENT

Acetylene Hose

ACET-O-LITE®

Hose assemblies are made of quality 7/16" OD x 3/16" ID single ply fabric reinforced Grade R hose. It has a 200 PSI working pressure.



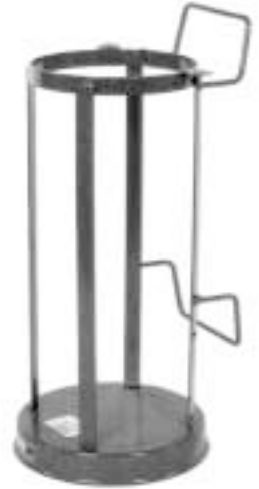
Part No.	Description
HA3-6	Hose 6 feet long with "A" connections
HA3-12	Hose 12 feet long with "A" connections
HA3-25	Hose 25 feet long with "A" connections

Acetylene Stands

Heavy Duty Steel Stand with Hose Rack, Support Base and Handle

C-800
for MC size acetylene cylinders

C-850
for B size acetylene cylinders



Soldering Irons

These irons are ideal for soldering light gauge sheet metal. The DA-1 has a pyramid copper point and the DA-2 has a chisel copper point.

Use with either model AA-1 or AA-3 torch handle.

DA-1



DA-2

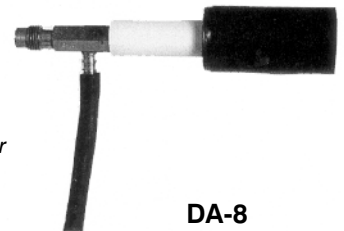


Halide Leak Detector

A sensitive leak detector for refrigerant gas.

The flame, when adjusted, will quickly change colour as the 24 inch search hose passes a leak.

For use with models AA-1 or AA-3 torches.



DA-8

SPLIT-FIRE TIPS

SCREW-IN



BA-TT



BA-GT

SCREW-IN design for the AA-1 or AA-3 handles. Dual flames for even distribution of heat.

SNAP-IN



GA-TT



GA-GT

SNAP-IN design used with GG-4 handle. Dual feather flame design for several applications.

GOSS® **AIR-PROPANE EQUIPMENT** "SCREW-IN STYLE"

Propane Kits with Pencil and Brush Tips



Kits contain a complete selection of high quality soldering and heating equipment.

KP-102

Kit No.	Tip No.
KP-102	BP-2
KP-105	BP-5

Kits include: AP-1 handle, EP-70G regulator, MP-1 lighter and HEF-10 hose and tip listed.



• Quiet, Adjustable Flame.

Tip No.	Flame	Diameter	Soft Solder	BTU's @ 40 psi
BP-1	Pencil	5/8"	to 1/2"	6,000
BP-2	Pencil	1"	to 1 1/2"	11,000
BP-3	Brush	7/8"	to 2"	14,000
BP-4	Brush	1 1/8"	to 3"	43,000
BP-5	Brush	1 3/4"	to 4"	57,000
BP-6	Brush	2 1/8"	to 5"	300,000

TARGET® Propane Kits and Tips



Kits feature the very hot, compact Target Tips. Kits also include a handle, UL listed regulator and accessories.

KP-115

Kit No.	Tip No.
KP-115	BP-15PM
KP-117	BP-17PM

Kits include: AP-1 handle, EP-70G regulator, MP-1 lighter and HEF-10 hose and tip listed.



• Hot Compact Flame.
• Economical Screw-In Design.

Tip No.	Flame Diameter	Soft Solder	Silver Solder
BP-13PM	7/16"	to 1"	1/2"
BP-15PM	1/2"	to 1 1/2"	5/8"
BP-17PM	3/4"	to 4"	2"

EZE-Lite® Instant Ignition Kits and Tips

Not pictured.

Same as KP-115 except includes the BP-15PML ignitor tip.

Kit No.	Tip No.
KP-115L	BP-15PML

Tip No.	Flame Diameter	Soft Solder	Silver Solder
BP-15PML	1/2"	to 1 1/2"	5/8"

Torch Handle

Comfortable handle design reduces operator fatigue. Up front valve offers single handed operation.

This handle accepts all screw-in tips shown on this page.

Uses HEF hose on page 14. 9/16 L.H., "B" hose fitting.

AP-1





AIR-PROPANE EQUIPMENT

"SNAP-IN STYLE"

TARGET® Propane Kits and Tips



Kits feature the very hot, compact Target Tips for professional soldering and brazing applications. Kits also include a quick disconnect handle, UL listed regulator and accessories. Choose from a wide selection of kits.

KLP-4

Kits include: GH-4 handle, HEF-12 hose, EP-70G regulator and torch tip(s).

- Hot turbine flame.
- Unique mixer design cuts brazing time by 30% over conventional tips.
- Tips have a filter and removable orifice.
- Interchangeable with other quick disconnect style tips.
- Made of heavy stainless steel and brass.
- Tips fit GH-4 handle.



Kit No.	Tip No.
KLP-2	GT-3, GT-5
KLP-4	GT-4

Tip No.	Flame Diameter	Soft Solder	Silver Solder
GT-3	7/16"	Up to 1"	Up to 1/2"
GT-4	1/2"	Up to 1 1/2"	Up to 5/8"
GT-5	3/4"	Up to 4"	Up to 2 1/2"

EZE-Lite™ Instant Ignition Kits and Tips



Kits feature propane EZE-Lite push button spark ignition tips with a swirl action flame.

KLP-4L

Kits include: GH-4 handle, HEF-12 hose, EP-70G regulator and tip.

- Innovative spark igniting turbine flame tip ignites with the push of a button.
- Interchangeable with other quick disconnect style tips.
- Removable/cleanable orifice.
- 100% flame tested.
- Tips fit GH-4 handle.



Kit No.	Tip No.
KLP-4L	GT-4L

Tip No.	Flame Diameter	Soft Solder	Silver Solder
GT-4L	1/2"	Up to 1 1/2"	Up to 5/8"

Torch Handle

Ribbed handle provides positive grip. Precision machined needle valve allows greater range of flame control. Utilizes quick disconnect for fast tip change over.

For use with tips shown above.

Uses HEF hose on page 14. 9/16-L.H., "B" hose fitting.

GH-4



GOSS **AIR-PROPANE / MAPP® EQUIPMENT****Heavy Duty Hand Torches for Disposable Cylinders****GP-360R****Features:**

- Hot turbine flame.
- Heavy duty brass regulator.
- Used with either propane or Mapp® gas.
- Stainless steel tip ends.



360° Swivel Tip
Rotates to any position for hard to reach areas.

Cylinder not included.

GP-360 Torch Accessories

EP-20BR (pictured)
Regulator for disposable cylinder with (B) hose outlet connection.

EP-20R
(not pictured)
Regulator body for the GP-360 Series torch.

BP-20TER (pictured)
Stainless steel tip for GP-360R torch.



BRS-480
(not pictured)
Orifice for GP-360R Series torches.

**“Sidewinder Kits”****FEATURES:**

- Has 12 ft of Hose.
- Utilizes Goss Target Tips on both model of kits.
- Spare cylinder storage.
- Hose Hanger for Sidewinder Storage.
- Available with Piezoelectric ignitor tip.



Cylinders not included.

KP-26 Kit, C-500 Stand Only

**KITS:**

KP-26: Snap-In Style Handle
Contents: EP-20BR regulator, GH-4 handle, GT-4 target tip, MP-1 lighter, HP3-12 hose and C-500 stand.

KP-26L: Snap-In Handle with Ignitor Tip
Contents: Same as KP-26 except includes GT-4L ignitor tip.

KP-27: Screw-In Style Handle
Contents: EP-20BR regulator, AP-1 handle, BP-15PM target tip, MP-1 lighter, HP3-12 hose and C-500 stand.

KP-27L: Screw-In Handle with Ignitor Tip
Contents: Same as KP-27 except includes BP-15PML ignitor tip.



AIR-PROPANE / MAPP® EQUIPMENT

Push Button Ignition Torches

GP-360L

FEATURES:

- Hot turbine flame.
- Innovative spark ignitor.
- Ignite flame with a push of a button.
- All brass regulator.
- Used with propane or Mapp® gas.



Ignitor Tip

360° Swivel Tip
Rotates to any position for hard to reach areas.

Cylinders not included.

BP-22LTE
Replacement tip end.



BP-22L
Replacement tip assembly for GP-360L.



Self Igniting Trigger Torches

Q-100

FEATURES:

- Requires no matches or lighter.
- Operates on propane or Mapp gas.
- Fuel knob provides positive shut off.
- Includes trigger lock for continuous operation.



Cylinders not included.

Q-125

FEATURES:

- Requires no matches or lighting devices.
- Operates on propane or MAPP gas.
- Built-in regulator minimizes flame deviation.
- ½ inch flame diameter.
- Reaches jobs other torches can not.



Q-125TE
Tip end for Q-125





AIR-PROPANE / MAPP® EQUIPMENT

Hand Torches for Disposable Cylinders

This torch is designed for durability at an economical price. It has the quality features that you would expect in a Goss torch.

Features:

- Used only with propane gas.
- Economical and practical for light duty jobs.
- Flame control valve gives precise adjustments.
- Solid brass construction.
- More durable than most torches of this type.
- No plastic or anodized aluminum parts.

GP-6
Economy Torch
Propane Only



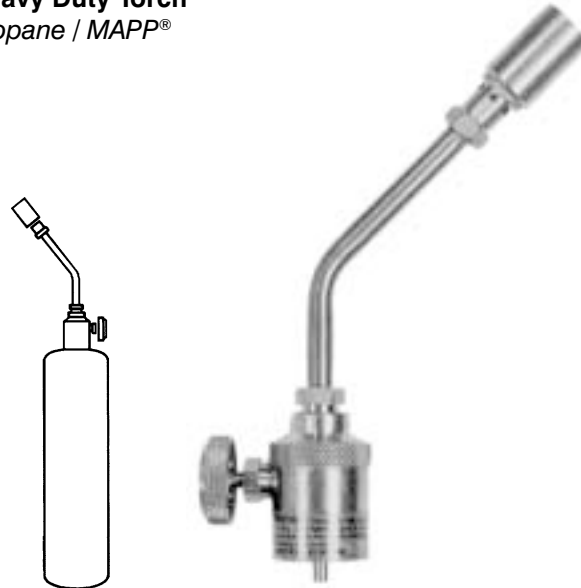
From Goss, "the innovators of the hand torch", comes the dependable GP-9 Torch. Made of the finest brass materials, this torch has soft soldering capabilities and is a popular choice for plumbing, heating, electrical and many other uses.

FEATURES:

- A tip that can be used with propane or Mapp gas without changing the orifice.
- Easily adjusted to three different flames without changing tip ends.
- Attractively packaged for pegboard display.
- Torch can be used in any position after tip end has preheated.

Cylinder not included.

GP-9
Heavy Duty Torch
Propane / MAPP®



Leak Detector

Use with disposable propane or Mapp gas cylinders. The flame, when adjusted to heat the reactor plate, quickly changes colour as the search hose passes a leak of refrigerant gas.

FEATURES:

- 24" search hose.
- Blackened shell to easily observe flame colour.
- Replacement parts available.

Cylinder not included.



GP-18



AIR-PROPANE EQUIPMENT

ProFlame® Torch Kits



Heavy duty kits designed for rugged use anywhere large volumes of heat are required. KP-201MA shown.

Kits

KP-201: Includes AP-25 torch, EP-80G regulator, HEF-10 hose and MP-1 lighter.

KP-201M: Same as above with BP-66 piezoelectric ignitor tip.

KP-201A: Includes AP-25 torch, IP-2 flow adaptor, HEF-10 hose and MP-1 lighter.

KP-201MA: Same as above with BP-66 piezoelectric ignitor tip.

Regulators and flow adaptors are UL listed.

CAUTION

This equipment is an unvented device not designed for use indoors and **must not** be used in an enclosed area. **Do not** leave equipment operating unattended.

Follow operating instructions included with this equipment. Use in accordance with all Federal, Provincial and local regulations.

ProFlame® Torches

This equipment can be used for weed burning, drying, heating, melting and other applications requiring large volumes of outdoor heat. Each uses vapour propane fuel and has a durable handle with rear on/off control valve.

They are used by contractors and farmers as well as road, railway and industrial maintenance crews.

See regulators and hoses on page 14.

Torches With Steel Burner

AP-6



Has two grips for easy handling.

AP-10A



Propane or Natural Gas

AP-25



AP-25M Includes BP-66 Piezoelectric Ignitor Tip

AP-25N For Natural Gas

Torch With Cast Iron Burner

AP-14



Blue-Jet Torch

Torch With Compressed Air Nozzle

AP-27



Propane burner with a separate air nozzle that blows debris and moisture from area to be repaired. Ideal for road work where cracks have to be cleaned out and dried.

Torch contains two separate valves to control heat and compressed air. Clean and dry in one easy step.

Torch No.	Total Length (inches)	Weight (lbs.)	Approx. BTUs MAX	Approx. Gas Usage at 70 psi (lb./hr.)	Tip	Tip Diameter (inches)
AP-6/AP-10A	38½	3¼	500,000	20	BP-6TE	3
AP-14	27	5½	500,000	20	BP-10	2 3/8
AP-25	31	1¾	500,000	20	BP-6TE	2 1/8
AP-27	38	7	500,000	20	BP-6TE	2 1/8

GOSS® AIR-PROPANE EQUIPMENT

READY-FLAME Combination Torches For Roofing, Heating and Heat Shrinking

AP-54
Designed for continuous or intermittent use. At the squeeze of a lever, operator can go from pilot flame to full-brush flame as needed. Has adjustable pilot valve.






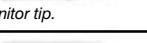

AP-99
Has same quality construction and versatile features as all Ready-Flame Torches but without pilot valve and lever flame control.

Match tips and extensions below for your needs. Or see complete kits.



Tip Ends for Extensions

Engineered to provide a variety of heat and flame characteristics when combined with the handles and extensions on this page.

Tip	Diameter (inches)	Approx. BTUs at 40 psi	Type Flame
BP-2TE 	1	11,000	Pencil*
BP-3TE 	7/8	14,000	Brush*
BP-4TE 	1 1/8	43,000	Brush*
BP-5TE 	1 3/8	57,000	Brush*
BP-6TE 	2 1/8	300,000	Brush**
BP-66  <i>Piezoelectric ignitor tip.</i>	2 1/8	300,000	Brush**
BP-8TE 	3	300,000	Brush**

* For propane or Mapp® gas. ** For propane or natural gas.

Brass Extensions for Torches



Screws onto AP-54 or AP-99. See torch stand MP-10.

Extension	Description (inches)
EX-4B	4" Bent
EX-12B	12" Bent
EX-12S	12" Straight
EX-18B	18" Bent
EX-18S	18" Straight
EX-18DB	18" Double Head Bent
EX-18DS	18" Double Head Straight
EX-30B	30" Bent

Heat Shrink Tip

Screws onto both AP-54 or AP-99 torch. This tip has a short, wide soft flame used for heat shrinking plastics.

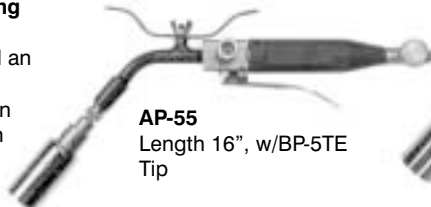
BP-75 (Soft Flame)



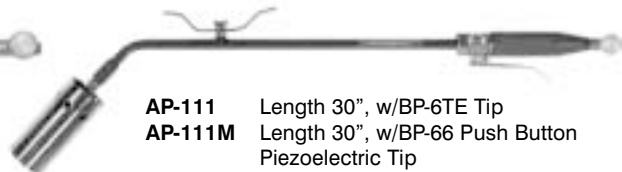
Assembled Steel Extension Torches

Used for applications requiring large volumes of heat.

Each has a steel extension and an adjustable pilot valve. At the squeeze of a lever, operator can go from pilot flame to full-brush flame.



AP-55
Length 16", w/BP-5TE Tip



AP-111 Length 30", w/BP-6TE Tip
AP-111M Length 30", w/BP-66 Push Button Piezoelectric Tip

Steel Extension Kits

Kit No. KP-155H
Contents: AP-55 torch, MP-1 lighter, HEF-20 Hose, EP-80G regulator.

Kit No. KP-318M-H
Contents: AP-111M piezo ignition torch, HEF-25 hose, EP-80G regulator.

Kit No. KP-318-H
Contents: AP-111 torch, MP-1 lighter, HEF-25 hose, EP-80G regulator.



AIR-PROPANE EQUIPMENT

Outdoor Furnaces

FP-540



Floor Furnace*

A well-constructed lead melting furnace with brush flame burner.

BTUs	Approx. 43,200
Gas Usage	Approx. 2lb./hr
Height	8 inches
Weight	8 lb
Diameter	8 1/2 inches

* For Propane Only

- Used For:**
- Lead Melting
 - Outdoor Cooker
 - Clam Bakes
 - Corn Roast
 - Deep Frying
- Use furnaces with EP-70G or EP-80G regulator

CAUTION

This equipment is an unvented device not designed for use indoors and **must not** be used in an enclosed area.

Do not leave equipment operating unattended.

Follow operating instructions included with this equipment.

Use in accordance with all Federal, Provincial and local regulations.

FP-5000



Utility Furnace*

A lead melting furnace with soft flame burner used by utility companies.

BTUs	Approx. 43,200
Gas Usage	Approx. 2 lb/hr
Height	10 inches
Weight	9 3/4 lb
Diameter	8 1/2 inches

Wind Shields

(For All Furnaces Above)



FP-S1

Straight wind shield.
Diameter: 7 5/8 inches



FP-S2

Spun wind shield.
Diameter: 9 1/8 inches

Lead Pot and Ladle

MP-3

7 inch diameter cast iron lead pot.
Holds 50 lb of lead.



MP-5

3 inch diameter cast iron ladle.



Soldering Irons

Features:

- Adjustable pencil point flame
- Durable steel construction
- Replaceable copper ends
- Removable stand



DP-9

Complete soldering iron with small pyramid copper

DP-9A

Small pyramid copper only - 3/4 inch diameter

DP-10

Complete soldering iron with small chisel copper

DP-10A

Small chisel copper only - 3/4 inch diameter

DP-11

Complete soldering iron with large pyramid copper

DP-11A

Large pyramid copper only - 1 1/4 inch diameter

DP-12

Complete soldering iron with large chisel copper

DP-12A

Large chisel copper only - 1 1/4 inch diameter



Kit KP-25

Kit includes:

- DP-11 soldering iron
- DP-9A copper tip
- HEF-10 LP hose
- EP-80G regulator
- MP-1 lighter

GOSS **AIR-PROPANE EQUIPMENT****Hose****Vapour Propane Gas Hose**

Quality flexible hose utilizes the standard 9/16 - 18 LH hose fittings.



Working Pressure: 350 PSI
Outside Diameter: 9/16"
Inside Diameter: 1/4"

Part No.	Length (ft.)
HEF-6	6
HEF-10	10
HEF-12	12
HEF-20	20
HEF-35	35
HEF-50	50

Not for use with Natural Gas

Vapour Propane / MAPP® / Natural Gas Hose

Quality flexible hose for use with multiple gases. 9/16 - 18 LH hose fittings.



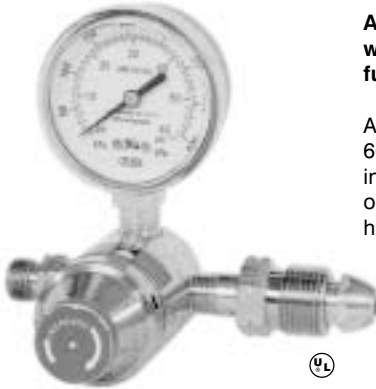
Working Pressure: 200 PSI
Outside Diameter: 7/16"
Inside Diameter: 3/16"

Part No.	Length (ft.)
HP3-12	12

Grade "T" Hose

Propane Regulators**High Pressure**

Use only with vapour withdrawal cylinders.

**EP-70G**

All brass regulators used with propane torches and furnaces.

Adjustable pressure from 5 to 60 PSI. UL Listed with POL inlet spud and nut, 1/4" NPT openings and 9/16 - 18 LH hose outlet.

EP-70G

Has 0 to 60 PSI outlet pressure gauge for propane gas.

EP-80G

Has 0 to 70 PSI outlet pressure without gauge for propane gas.

XP-234

Regulator with dust cap and heavy duty inlet nut for propane gas.

Low Pressure

For vapour withdrawal cylinders.



This regulator has approx. 6-7 oz. or 11" water column outlet pressure and is for applications requiring low gas pressure. UL Listed with 1/4" NPT inlet and 3/8" NPT outlet. **Do not use with any Goss LP torch or furnace equipment.**

EP-60-0	Body only, no fittings
EP-60-1	POL inlet, 3/8" flare outlet
EP-60-2	POL inlet, 1/4" flare outlet
EP-60-3	POL inlet, LH hose outlet
EP-60-4	T-Block inlet, 3/8" flare outlet
EP-60-5	POL inlet less outlet

Low Pressure with OPD Tank Connection

For vapor withdrawal cylinders.

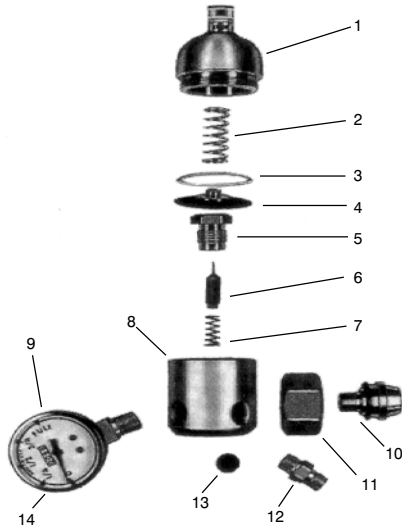


Same features as the EP-60 regulators except it utilizes an OPD cylinder connection.

EP-90-0	Body only, no fittings
EP-90-1	Type 1 inlet, 3/8" flare outlet
EP-90-2	Type 1 inlet, 1/4" flare outlet
EP-90-3	Type 1 inlet, LH hose outlet
EP-90-5	Type 1 inlet, less outlet

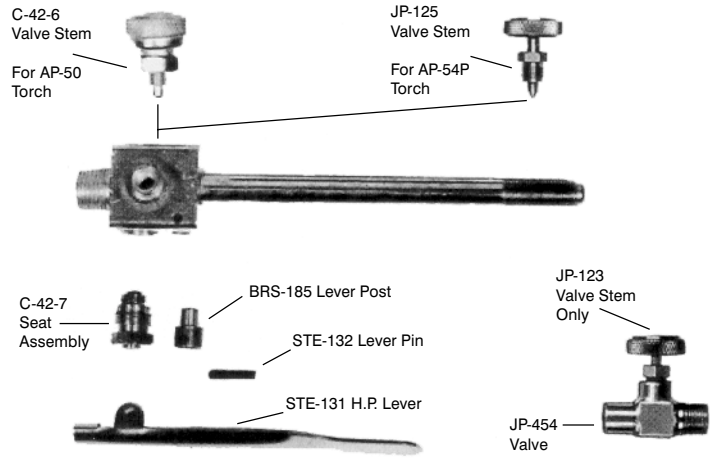
GOSS PARTS LIST

EA-G & EP-G Regulators



AP Torches

AP-50 / AP-54P



Regulators	EA-1G Acet.	EA-2G Acet.	EA-3G Acet.	EA-4G Acet.	EP-7G		EP-8G	
					EP-70G	EP-80G		
1. Bonnet Assembly	BRS-688	BRS-688	BRS-688	BRS-688	BRS-688	BRS-688	BRS-688	BRS-688
2. Range Spring	STE-143	STE-143	STE-143	STE-143	STE-143	STE-286	STE-144	STE-144
3. Diaphragm Gasket	PLA-104	PLA-104	PLA-104	PLA-104	PLA-104	PLA-104	PLA-104	PLA-104
4. Diaphragm Assembly	RUB-116	RUB-116	RUB-116	RUB-116	RUB-116	RUB-116	RUB-116	RUB-116
5. Seat Nut	BRS-282	BRS-282	BRS-282	BRS-282	BRS-282	BRS-282	BRS-282	BRS-282
6. Seat	BRS-411	BRS-411	BRS-411	BRS-411	BRS-411	BRS-411	BRS-411	BRS-411
7. Seat Spring	STE-170	STE-170	STE-170	STE-170	STE-170	STE-170	STE-170	STE-170
8. Body	BRS-273A	BRS-273	BRS-273A	BRS-273	BRS-194	BRS-194L	BRS-682	BRS-628L
9. Gauge	MA-80-16	MA-80-16	N/A	N/A	MP-700	MP-673	N/A	N/A
10. Inlet Stem	BRS-359	BRS-361	BRS-359	BRS-361	BRS-343	BRS-355	BRS-343	BRS-355
11. Inlet Nut	BRS-357	BRS-360	BRS-357	BRS-360	BRS-353	BRS-353	BRS-353	BRS-353
12. Outlets	BRS-382	BRS-382	BRS-382	BRS-382	BRS-328	BRS-331	BRS-328	BRS-331
13. Filter	STE-172	STE-172	STE-172	STE-172	STE-172	STE-322	STE-172	STE-322
14. Gauge Crystal	GC-3				GC-7			

Tip orifices

Tip	Orifice	Tip	Orifice	Tip	Orifice
BA-1	BRS-140	BP-2TE	BRS-123	GA-8	BRS-126
BA-2	BRS-142	BP-3TE	BRS-126	GA-11	BRS-881
BA-3	BRS-147	BP-4TE	BRS-128	GA-14	BRS-526
BA-4	BRS-150	BP-5TE	BRS-129	GA-32	BRS-517
BA-5	BRS-153	BP-6TE	BRS-520L	GA-36	BRS-453
BA-6	BRS-156	BP-8TE	BRS-520L	GA-38	BRS-454
BA-9A	BRS-464	BP-13PM	BRS-303	GA-40	BRS-455
BA-10A	BRS-126	BP-15PM	BRS-464	GA-3	BRS-303
BA-12A	BRS-526	BP-17PM	BRS-881	GT-4	BRS-123
BA-20	BRS-726	BP-66	BRS-732	GT-4L	BRS-123
BA-25	BRS-727	GA-3	BRS-464	GT-5	BRS-881
BA-30	BRS-728	GA-5	BRS-123	GP-360R, GP-360L	BRS-480

GOSS® PARTS LIST

AA Torches	AP Torches
AA-1 	AP-1

E-25 Regulators

Gauge shown is Low Pressure Oxy-100#. Low Pressure Fuel is 0-30#.

Gauge shown is High Pressure Oxy-4000#. High Pressure Fuel is 0-400#.

Bonnet shown is BRS-688. T-Bar design is BRS-688T.

NOTE: All Regulator Openings are 1/8 NPT.

Regulators	EA-25-C EA-25-CA Fuel	EA-25-B EA-25-BA Fuel	EA-25-DA EA-25-D Fuel	EA-25-M EA-25-MA Fuel	EA-25 EA-25-A Fuel	EO-25 EO-25-A Oxygen
1. Bonnet Assembly	BRS-688T	BRS-688T	BRS-688T	BRS-688T	BRS-688T	BRS-688T
2. Range Spring	STE-143	STE-143	STE-143	STE-143	STE-143	STE-144
3. Diaphragm Gasket	PLA-104	PLA-104	PLA-104	PLA-104	PLA-104	PLA-104
4. Diaphragm Assembly	RUB-116	RUB-116	RUB-116	RUB-116	RUB-116	RUB-116
5. Seat Nut	BRS-282	BRS-282	BRS-282	BRS-282	BRS-282	BRS-282-0
6. Seat	BRS-411	BRS-411	BRS-411	BRS-411	BRS-411	BRS-411
7. Seat Spring	STE-170	STE-170	STE-170	STE-170	STE-170	STE-170
8. Body	BRS-566	BRS-566	BRS-567	BRS-566	BRS-566	BRS-296
9. Gauge <small>Low Pressure</small>	1 1/2" dia. / 2" dia. STE-146	STE-146	STE-331	STE-146	STE-331	STE-148
10. Gauge <small>High Pressure</small>	1 1/2" dia. / 2" dia. STE-145	STE-145	STE-332	STE-145	STE-332	STE-147
11. Safety Assembly	N/A	N/A	N/A	N/A	N/A	BRS-414
12. Rupture Disc	N/A	N/A	N/A	N/A	N/A	BRS-291
13. Inlet Stem	BRS-349	BRS-357	BRS-360	BRS-360	BRS-352	BRS-346
14. Stem	BRS-345	BRS-359	BRS-361	BRS-361	BRS-343	BRS-344
15. Filter	STE-172	STE-172	STE-172	STE-172	STE-172	STE-367
16. Inlet Valve	N/A	N/A	N/A	N/A	N/A	N/A
17. Outlet	3/8"-24 A Size	BRS-382	BRS-382	BRS-382	BRS-382	BRS-381
	9/16"-18 B Size	BRS-328	BRS-328	BRS-328	BRS-328	BRS-329
18. Gauge Crystal	1 1/2" dia.	GC-10				
	2" dia.	GC-7				