




CYLINDER CARTS
MANUFACTURED FOR HEAVY DUTY APPLICATIONS

Features:

- All Lenco carts are of steel construction
- Frames are made from 1" 16 gauge steel tubing
- Base plates are made from 12 gauge steel
- Ball bearing heavy duty wheels (except L-244, L-244N and L-40)
- Welded throughout for maximum strength
- Quality welds throughout
- Concealed legs to remove load from, and avoid flat spots on wheels when stationary





L-40

L-40 Cylinder Cart for smaller cylinders has same features as L-80 cart except cylinder hold bar is 9 1/2" from base, ideal for mini kits. Concealed legs remove load from wheels when stationary. Also includes cylinder hold chain and hose supports. Nylon disc wheels.

Base Plate: 7" x 15" (18cm x 38cm)
 Height: 40" (102cm)
 Weight: 12 lbs. (6 kg)
 Axle: 1/2" (1.27cm)
 Wheels: 6" x 1.50" (15cm x 4cm)
 Nylon disc plain bearing

REPLACEMENT WHEELS:
 PD-6




L-80

L-80 Cylinder Cart for small size cylinders. Ideal for service stations, garages and shops. Concealed legs remove load from wheels when cart is stationary. Also includes cylinder hold chain and hose supports. Wheels have ball bearings for easy mobility. Cylinder hold bar is 19" from the base. Steel disc wheels.

Base Plate: 7" x 15" (18cm x 38cm)
 Height: 40" (102cm)
 Weight: 13 lbs. (6 kg)
 Axle: 1/2" (1.27cm)
 Wheels: 6" x 1.50" (15cm x 4cm)
 Steel disc ball bearing

REPLACEMENT WHEELS:
 LPN-6B BALL BEARING



L-150

L-150 Cylinder Cart for medium size cylinders. Most popular of medium size carts. Wheels have ball bearings for easy mobility. Concealed legs remove load from wheels when cart is stationary. Also includes cylinder hold chain. Steel disc wheels.

Heavy Duty Wheels

Base Plate: 9" x 16" (23cm x 41cm)
 Height: 41 1/2" (105cm)
 Weight: 21 lbs. (10 kg)
 Axle: 1/2" (1.27cm)
 Wheels: 8" x 1.75" (20cm x 4cm)
 Steel disc ball bearing HD

REPLACEMENT WHEELS:
 LPN-8BHD BALL BEARING HD



L-160


L-160 Cylinder Cart for medium size cylinders and "T" size oxygen. Wheels are 8" heavy duty ball bearing, for easy mobility. Concealed legs remove load from wheels when cart is stationary. Also includes cylinder hold chain. Steel disc wheels.

Heavy Duty Wheels

Base Plate: 10" x 18" (25.4cm x 46cm)
 Height: 47" (119cm)
 Weight: 22.7 lbs. (10.3 kg)
 Axle: 1/2" (1.27cm)
 Wheels: 8" x 1.75" (20cm x 4cm)
 Steel disc ball bearing HD

REPLACEMENT WHEELS:
 LPN-8BHD

L-244 and L-244N




L-244 Cylinder Cart for large size cylinders. Excellent for construction jobs and large shops. Concealed legs remove load from wheels when cart is stationary. Comes equipped with large tool box and cylinder hold chain. Heavy duty wheels. L-244 cart has steel disc wheels. L-244N has nylon disc wheels.

Base Plate: 13" x 24" (33cm x 61cm)
 Height: 48" (122cm)
 Weight: 71 lbs. (33 kg)
 Axle: 1" (2.54cm)
 Wheels: 14" x 3" (36cm x 8cm)

REPLACEMENT WHEELS:
 L-244 ST-143P STEEL
 L-244N ST-143N NYLON

L-200

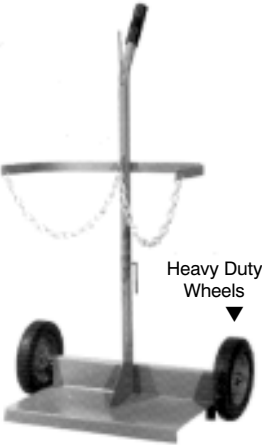


L-200 Cylinder Cart for medium size cylinders. Side by side 144 or 244 cu. ft. oxygen cylinder and 130 cu. ft. acetylene cylinder. Wheels are 10" ball bearing heavy duty wheels for easy mobility. Concealed legs remove load from wheels when cart is stationary. Also includes cylinder hold chain and handy tool box. Steel disc wheels.

Heavy Duty Wheels

Base Plate: 10" x 19 1/2" (25cm x 50cm)
 Height: 41 1/2" (105cm)
 Weight: 33 lbs. (15 kg)
 Axle: 1/2" (1.27cm)
 Wheels: 10" x 1.75" (25cm x 4cm)
 Steel disc ball bearing HD

REPLACEMENT WHEELS:
 LPNX-10BHD



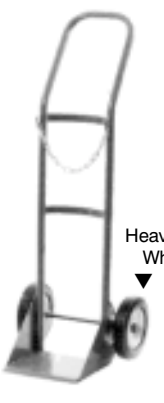
L-155

L-155 Cylinder Cart for medium size cylinders. Cylinders loaded side by side. Concealed legs remove load from wheels when cart is stationary. Also includes cylinder hold chain and hose supports. Steel disc wheels.

Heavy Duty Wheels

Base Plate: 9 1/2" x 18" (24cm x 46cm)
 Height: 40" (102cm)
 Weight: 20 lbs. (9 kg)
 Axle: 1/2" (1.27cm)
 Wheels: 8" x 1.75" (20cm x 4cm)
 Steel disc ball bearing HD

**REPLACEMENT WHEELS:
 LPN-8BHD BALL BEARING HD**



L-100

L-100 Cylinder Cart for transporting single cylinders up to 9 1/4" in diameter. Wheels are ball bearing for easy mobility. Load is removed from wheels when cart is stationary. Also includes cylinder hold chain. Steel disc wheels.

Heavy Duty Wheels

Base Plate: 9" x 10" (23cm x 25cm)
 Height: 43 1/2" (110cm)
 Weight: 18 lbs. (9 kg)
 Axle: 1/2" (1.27cm)
 Wheels: 8" x 1.75" (20cm x 4cm)
 Steel disc ball bearing HD

**REPLACEMENT WHEELS:
 LPN-8BHD BALL BEARING HD**

REPLACEMENT WHEELS

Light Duty - Plastic Disc - Semi-Pneumatic



Part No.	Cart	Diameter	Tread	Bearing	Bore	Load	Hub Length
PD-6	L-40	6"	1.50"	Plain	1/2"	50	1 3/8"

Medium Duty - Steel Disc - Semi-Pneumatic



LPN-6B	L-80	6"	1.50"	Ball	1/2"	50	1 3/8"
LPN-8BHD	L-150, L-160 L-155, L-100	8"	1.75"	Ball	1/2"	120	1 3/8"
LPN-10BHD	L-200	10"	1.75"	Ball	5/8"	150	1 5/8"

Heavy Duty - Steel Disc - Semi-Pneumatic



ST-143P	L-244	14"	3"	Plain	1"	880	2 5/8"
ST-143N	L-244N	14"	3"	Plain	1"	880	2 5/8"

**All Cylinder Carts
 are Made in CANADA**



PLASTIC CYLINDER CARTS

P-20

Cart w/ Handle and
Wheels

**P-10**

Cart Only
(Cylinders and Accessories
not included)

Cart is blow-molded of lightweight, sturdy polyethylene plastic.

Designed to hold two cylinders safely, and be carried with ease because of the excellent centre of gravity and comfortable hand hold. Carts can also be supplied with wheels and a handle for added convenience.

The design also provides excellent protection for the cylinder valves and regulators.

It is impervious to rust and corrosion.

Each cart holds a 20 cubic foot oxygen cylinder and a 10 cubic foot acetylene cylinder or disposable cylinder.

Small equipment storage compartment also included in each cart.

Complete kits available with cylinders and torches, see Section 200-2, Generico Page 3.